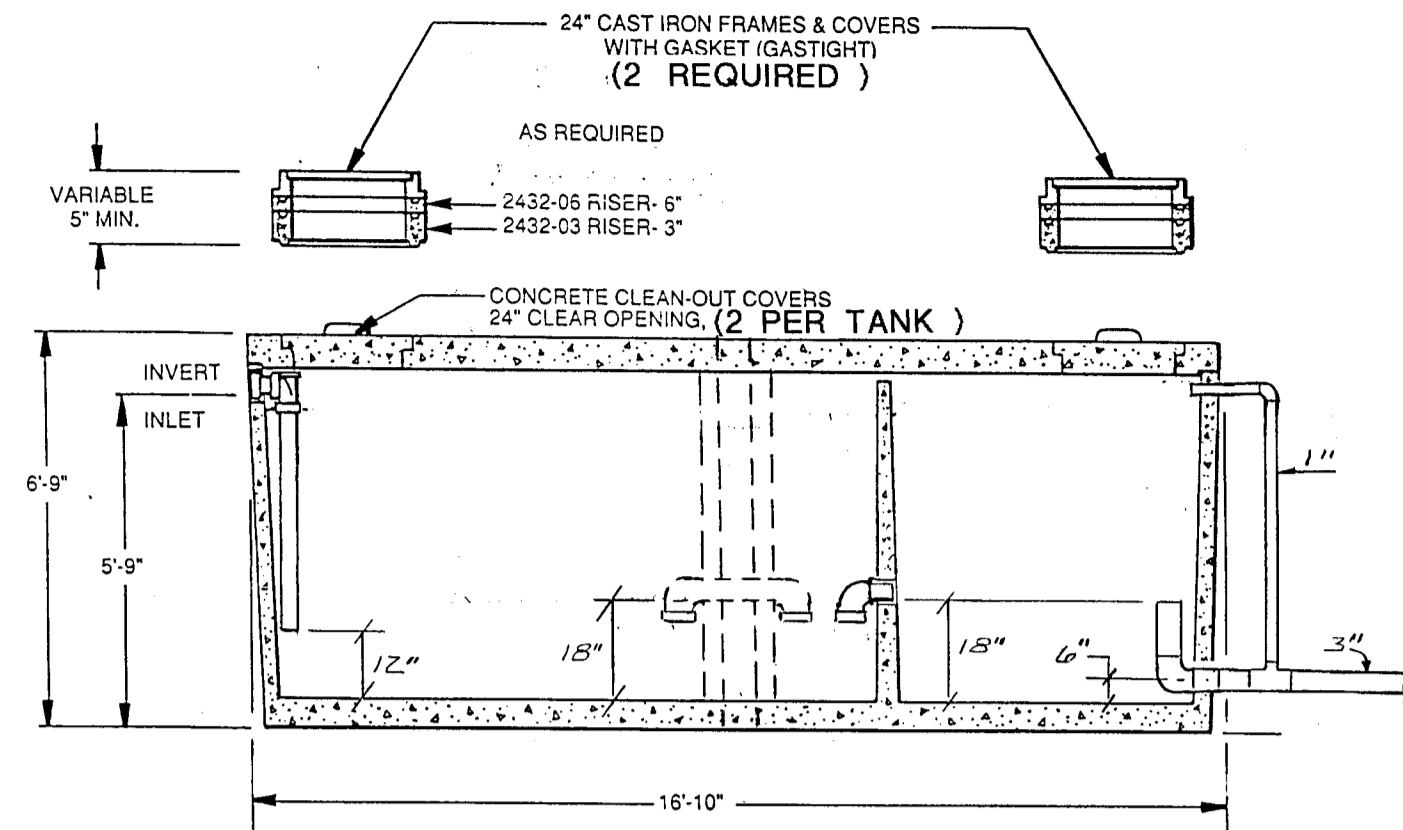
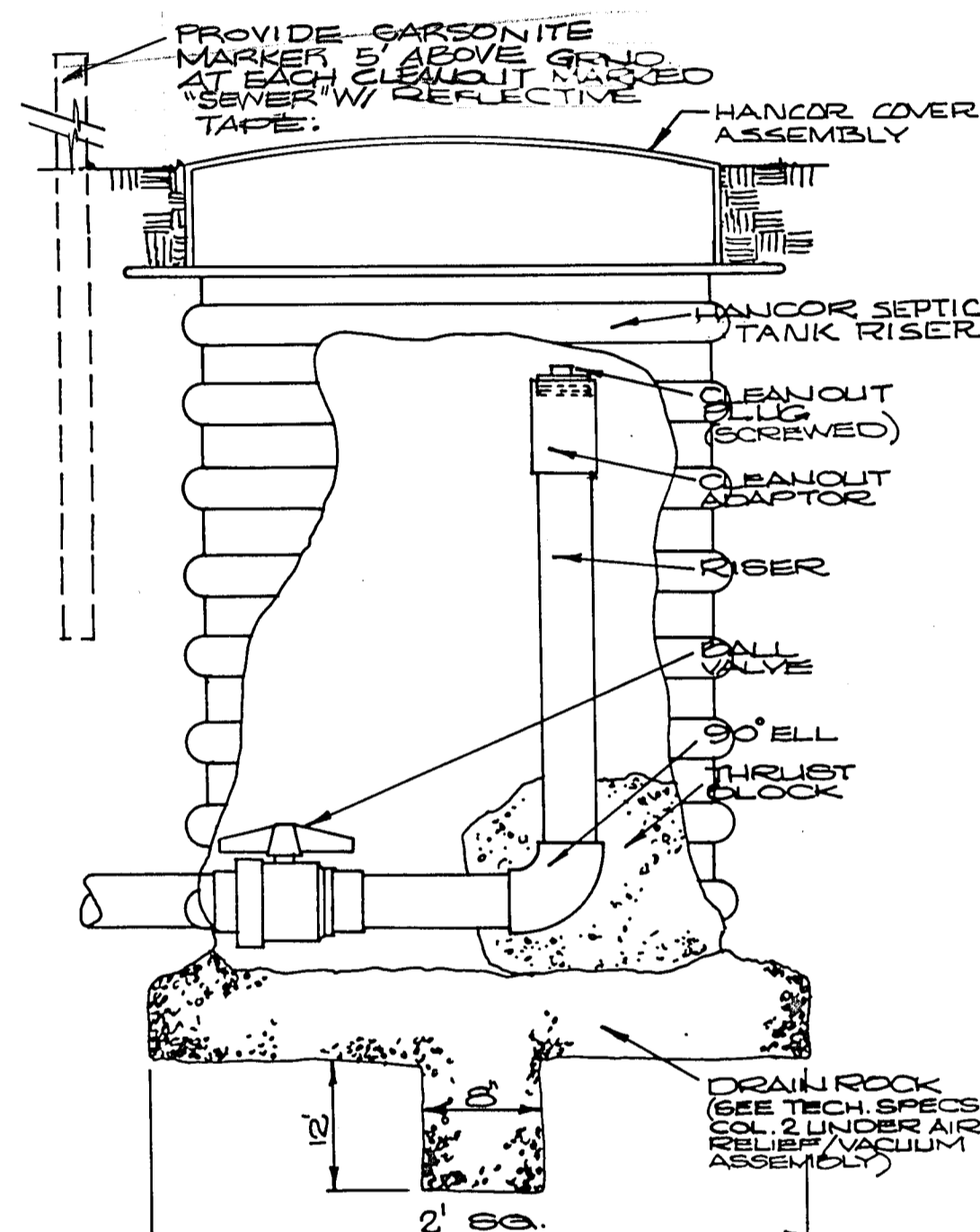


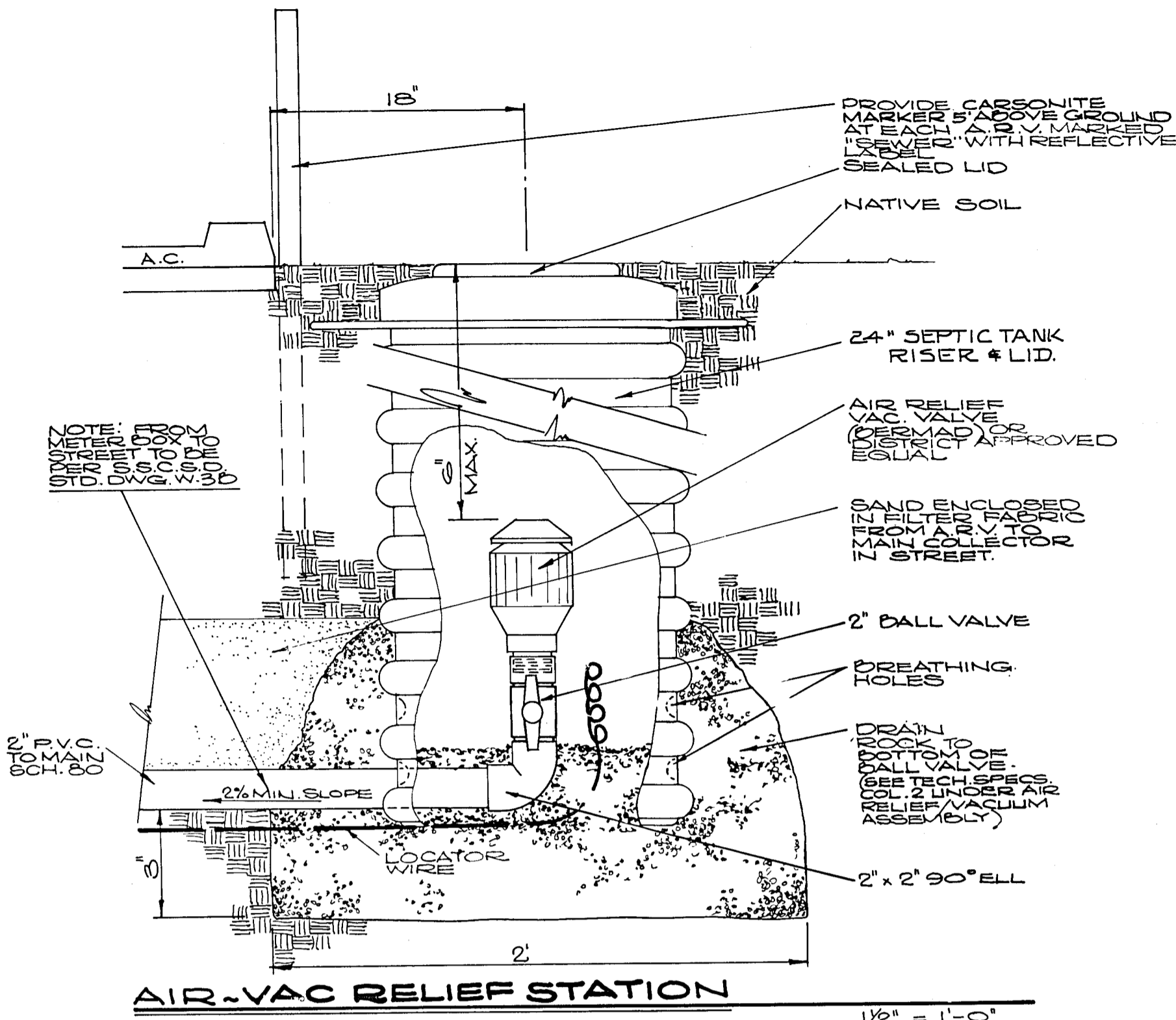
3,000 GALLON OR 2 - 1,500 GALLON
COMMERCIAL SEPTIC TANKS



SEPTIC TANK DETAIL (ALTERNATE)
NO SCALE



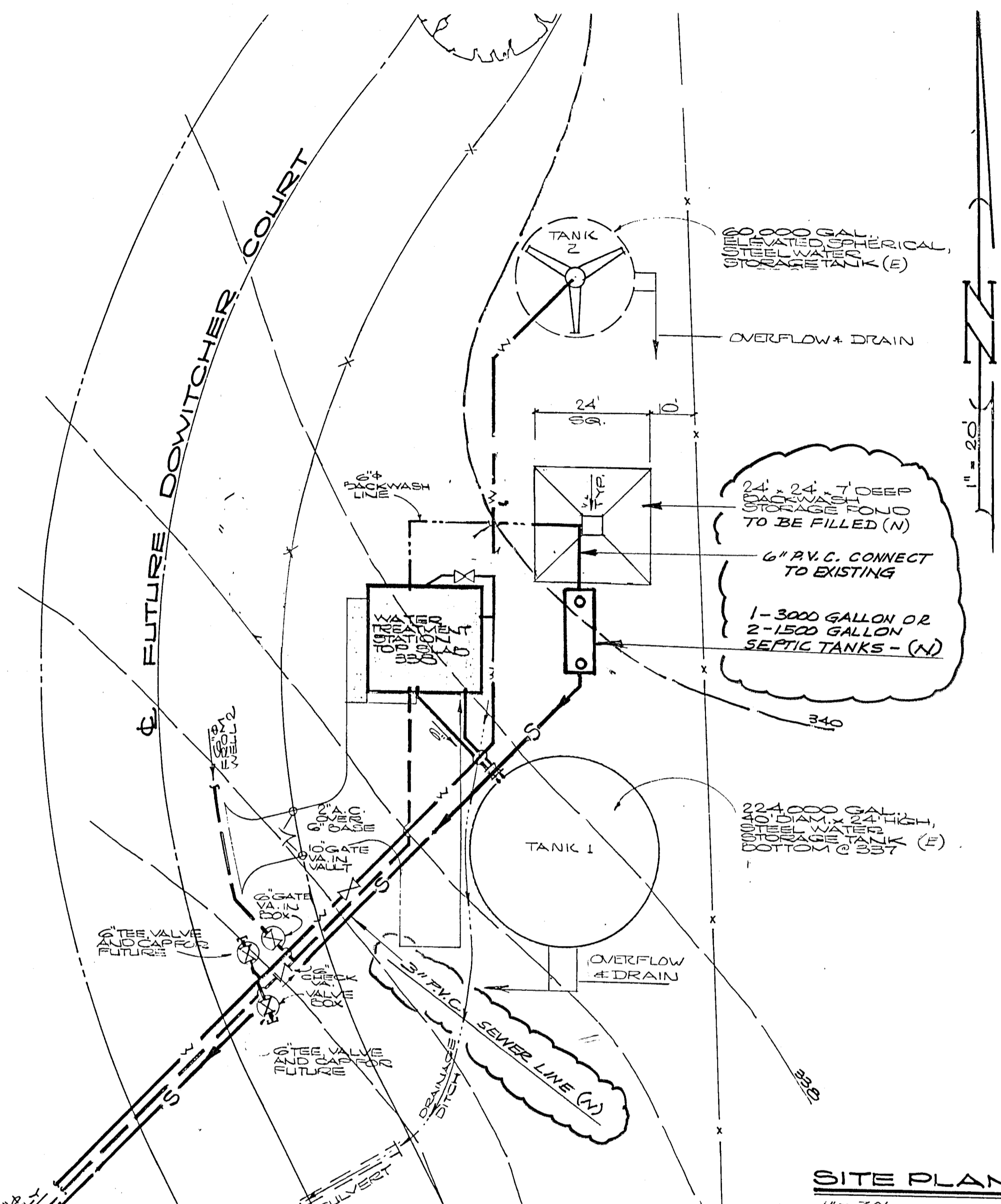
NOTE: TO BE USED IN LOCATIONS UNDER STATIC
CLEANOUT/DO DETAIL "J"
NO SCALE



AIR-VAC RELIEF STATION

CONSTRUCTION NOTES

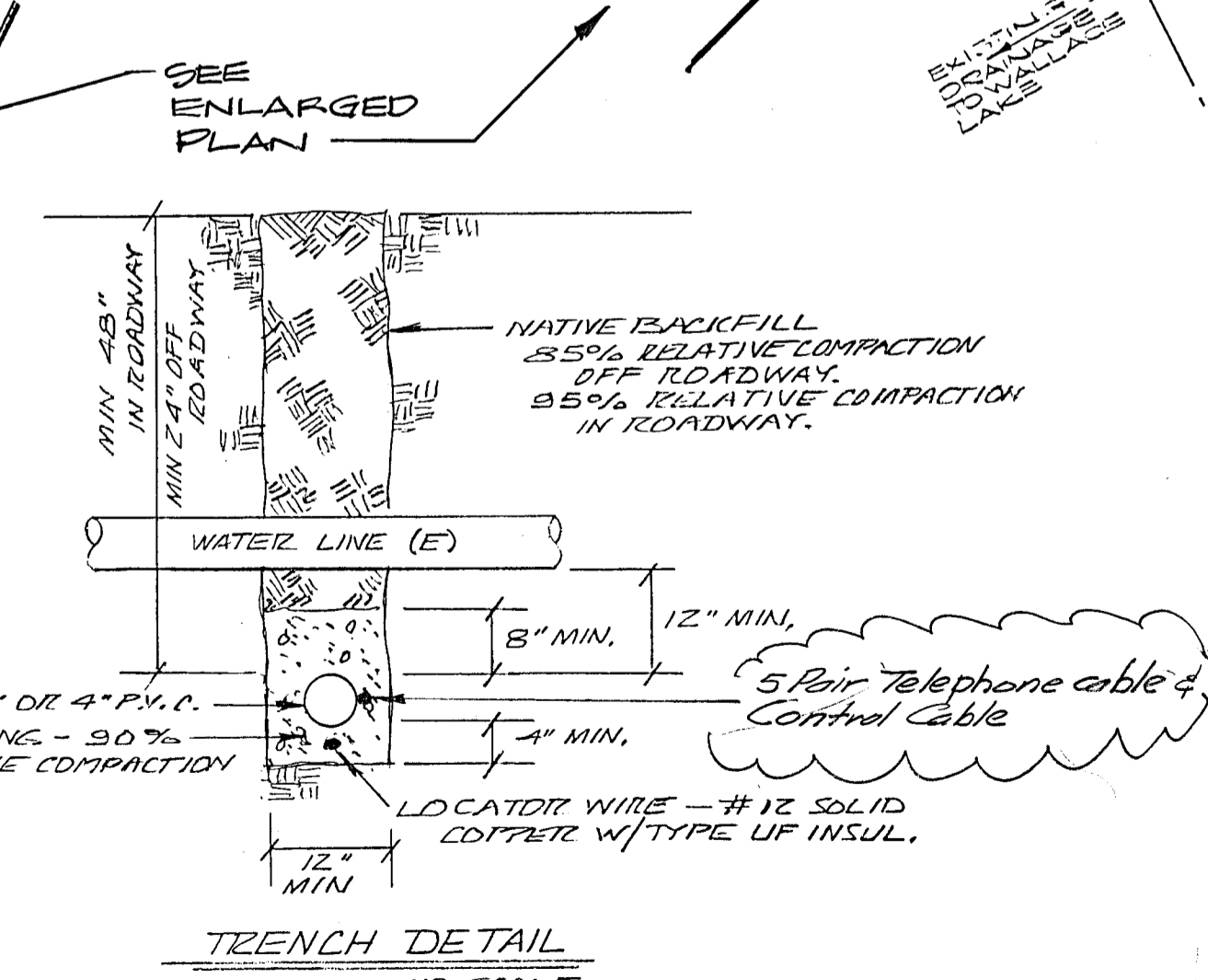
- All construction shall be in accordance with the latest edition of the Standard Specifications for Public Works Construction and other applicable state and county standards including the latest edition of the Uniform Building Code (Chapter 70) and the Uniform Plumbing Code.
- Permits: There are no other permits.
- Existing conditions in the field may vary from those shown on these plans. The contractor shall examine the site to satisfy himself on the existing conditions and topography.
- The existing underground utilities are plotted from information provided by the various utilities. The contractor shall take precautionary measures to protect these utilities. The contractor shall do no excavation until all utility agencies have been notified and have been given the opportunity to mark their facilities in the field. Call 1-800-227-2600.
- The contractor shall be responsible to notify and coordinate all work with all affected agencies and utility companies when construction, removal or relocation of facilities is required.
- Contractor agrees: That he shall assume sole and complete responsibility for job site conditions during the course of construction of this project, including safety for all persons and property; that this requirement shall apply continuously and not be limited to normal working hours; and that the contractor shall defend, indemnify and hold the owner, the engineer, Wallace Community Services District and its employees harmless from any and all liability, real or alleged, in connection with the performance of work on this project, excepting for liability arising from the sole negligence of the owner, the engineer, Wallace Community Services District or its employees.
- Locator wire shall be placed under all plastic pipe, and locator tape shall be placed over the pipe.
- These improvements will not be submitted to the Board of Directors of the Wallace Community Services District for final acceptance until all cleaning and testing is completed.
- Contractor shall use bales of hay or other means of controlling erosion along the edge of the property or other bottom of slope locations or as shown on approved erosion control plan.
- All sewer pipe shall be PVC Class 200, unless otherwise approved.



SITE PLAN
1" = 20'



Telephone cable (5-pair) water trimit pit to connection w/ exist. system. (2000' +/-)
Control cable - water trimit pit to existing well (1000' +/-)



TRENCH DETAIL
NO SCALE

C:\acad14\Drawings\Other\WLE-TB.dwg Tue Mar 24 15:57:57 1998

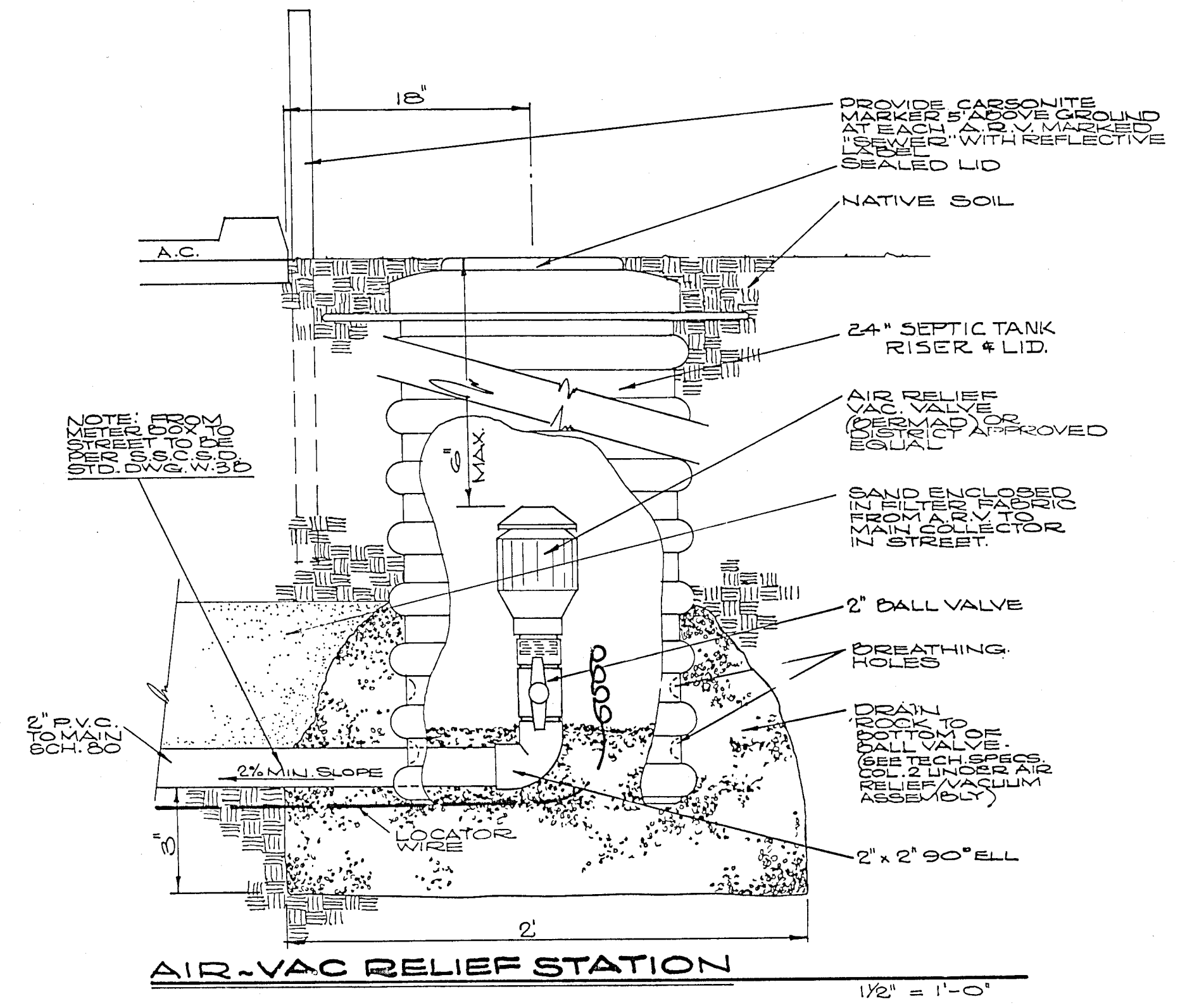
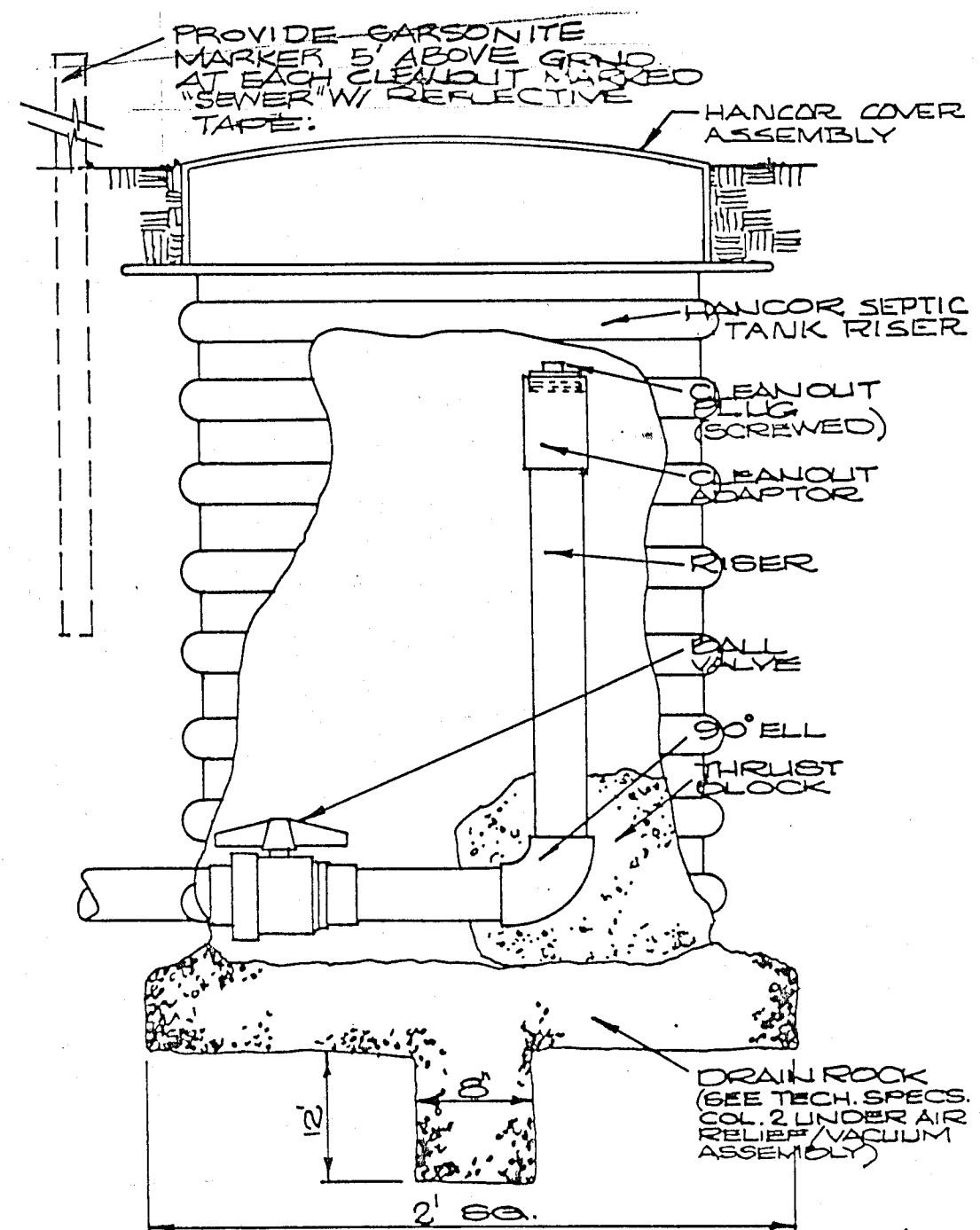
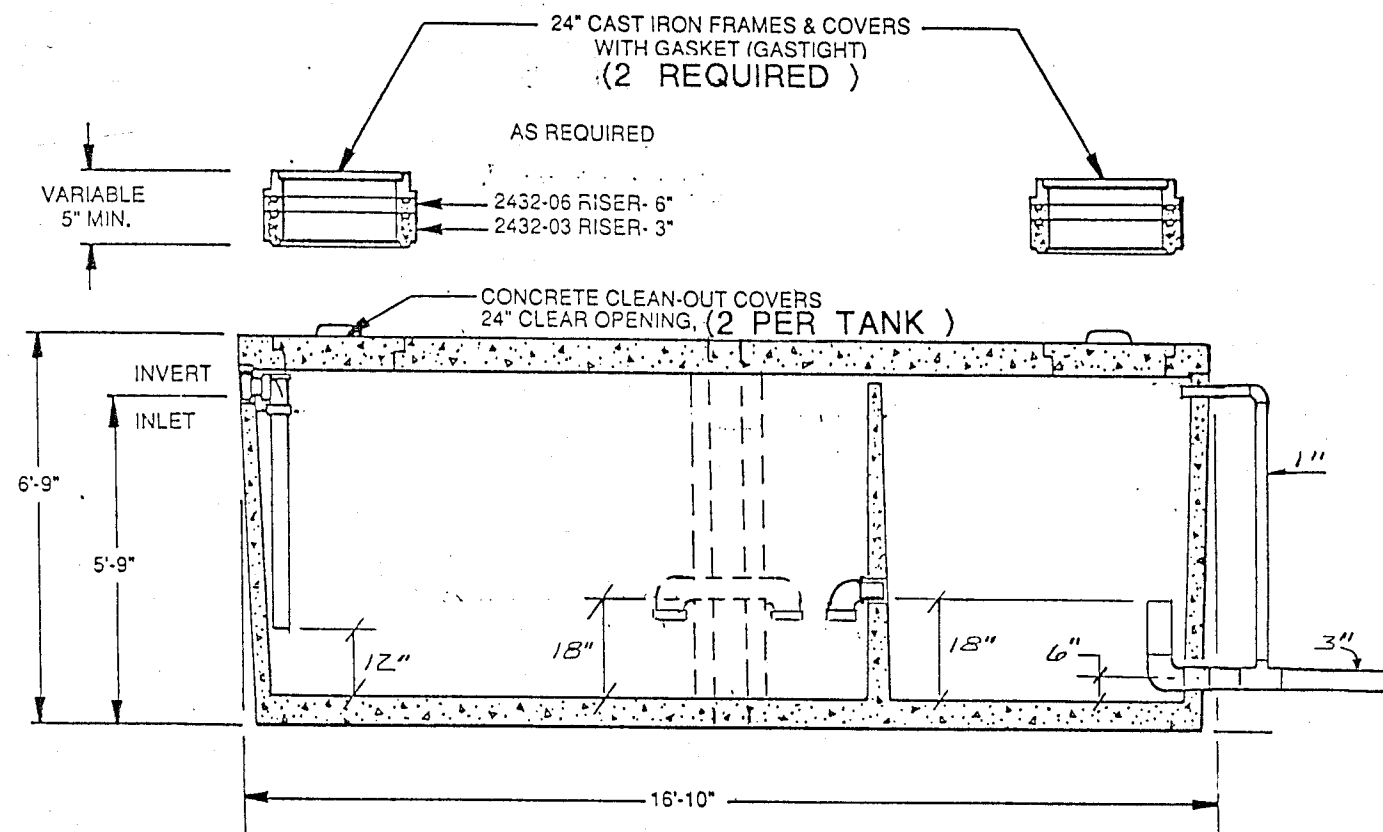
DRAWN BY:	CHECKED:	C.E. NO. 14774	REVISION	DATE	DESCRIPTION	BY	APPD.
		LIC. EXPIRES 2-31-01					

WEATHERBY REYNOLDS CONSULTING ENGINEERS
206 PETER ST. JACKSON, CA 95642 (925) 223-0392
(925) 754-137 FAX # (925) 223-076

WALLACE LAKE ESTATES
TREATMENT PLANT BACKWASH DISPOSAL SYSTEM
CALAVERAS COUNTY, CALIFORNIA

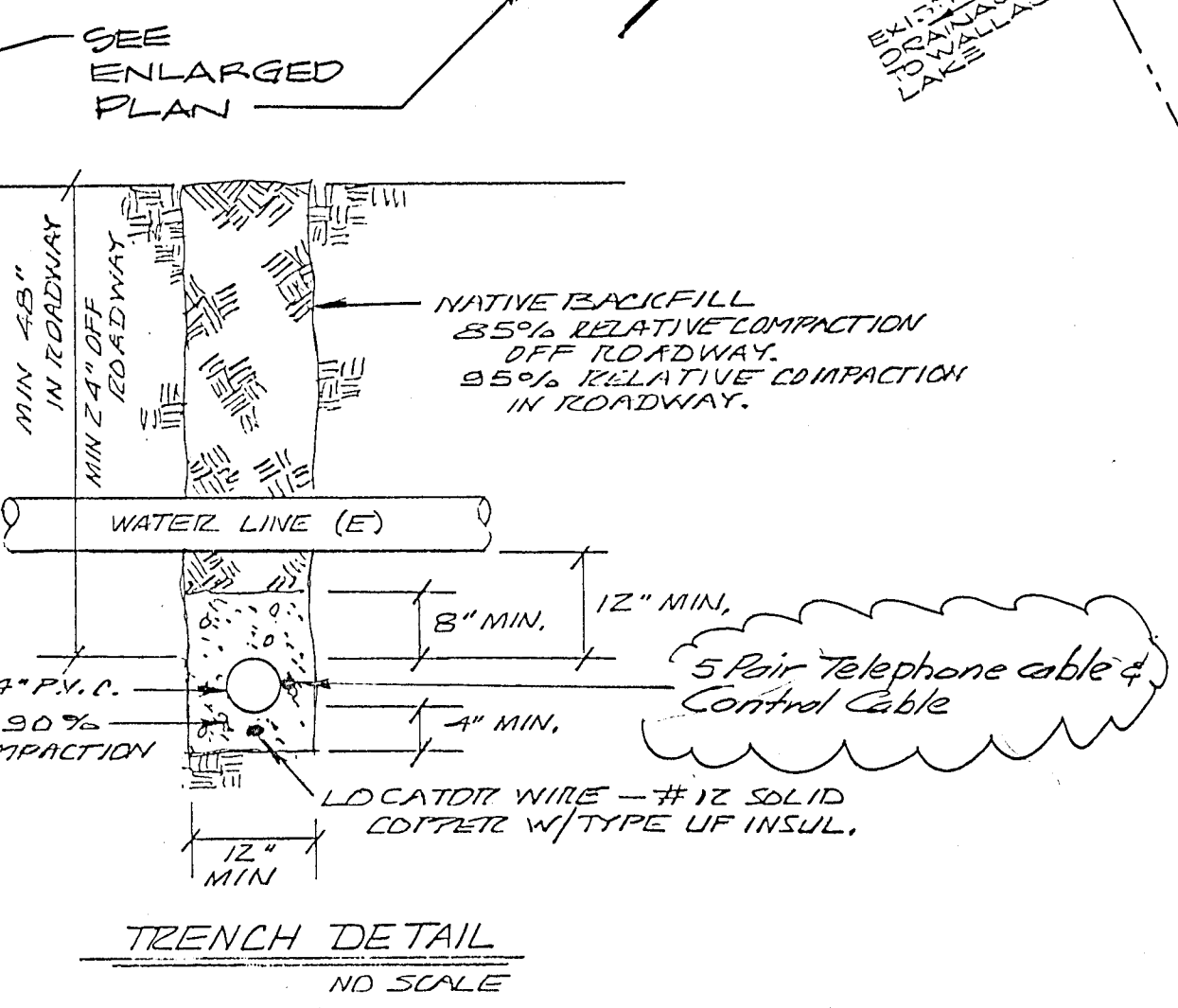
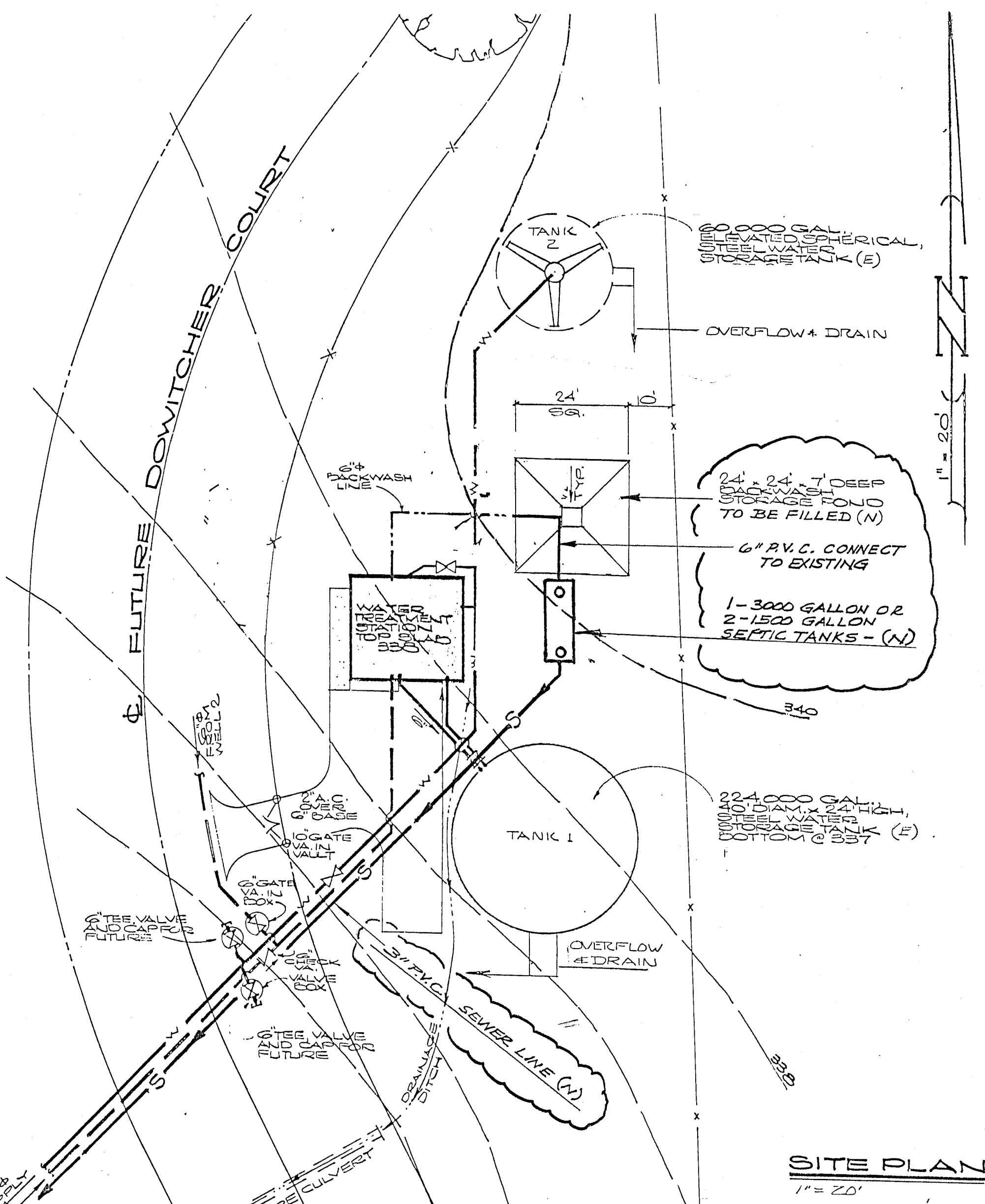
DATE	3/24/98
SHEET	1
SCALE:	NOTED
FILE NO.	D-3901
OF	1

3,000 GALLON OR 2 - 1,500 GALLON
COMMERCIAL SEPTIC TANKS

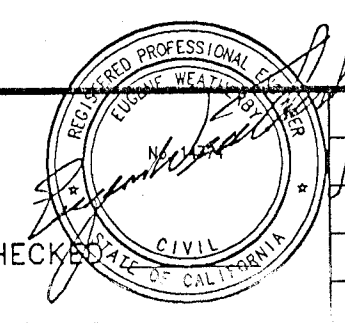


CONSTRUCTION NOTES

- All construction shall be in accordance with the latest edition of the Standard Specifications for Public Works Construction and other applicable state and county standards including the latest edition of the Uniform Building Code (chapter 70) and the Uniform Plumbing Code.
- Permits: There are no other permits.
- Existing conditions in the field may vary from those shown on these plans. The contractor shall examine the site to satisfy himself on the existing conditions and topography.
- The existing underground utilities are plotted from information provided by the various utilities. The contractor shall take precautionary measures to protect these utilities. The contractor shall do no excavation until all utility agencies have been notified and have been given the opportunity to mark their facilities in the field. Call 1-800-227-2600.
- The contractor shall be responsible to notify and coordinate all work with all affected agencies and utility companies when construction, removal or relocation of facilities is required.
- Contractor agrees: That he shall assume sole and complete responsibility for job site conditions during the course of construction of this project, including safety for all persons and property; that this requirement shall apply continuously and not be limited to normal working hours; and that the contractor shall defend, indemnify and hold the owner, the engineer, Wallace Community Services District and its employees harmless from any and all liability, real or alleged, in connection with the performance of work on this project, excepting for liability arising from the sole negligence of the owner, the engineer, Wallace Community Services District or its employees.
- Locator wire shall be placed under all plastic pipe, and locator tape shall be placed over the pipe.
- These improvements will not be submitted to the Board of Directors of the Wallace Community Services District for final acceptance until all cleaning and testing is completed.
- Contractor shall use bales of hay or other means of controlling erosion along the edge of the property or other bottom of slope locations or as shown on approved erosion control plan.
- All sewer pipe shall be PVC Class 200, unless otherwise approved.



Telephone cable (5-pair) water trimit pit to connection w/ exist. system (3000' +/-)
Control cable - water trimit pit to existing well (3000' +/-)



WEATHERBY REYNOLDS
REGISTERED PROFESSIONAL ENGINEER

WALLACE LAKE ESTATES
TREATMENT PLANT BACKWASH DISPOSAL SYSTEM

DRAWN BY: _____
SUBMITTED BY: _____

CHECKED BY: _____

DATE	3/24/98
SHEET	1
SCALE:	NOTED
FILE NO.	D-3981

\\vacad14\Drawings\Other\VAL-E-TB.dwg Tue Mar 24 15:57:57 1998